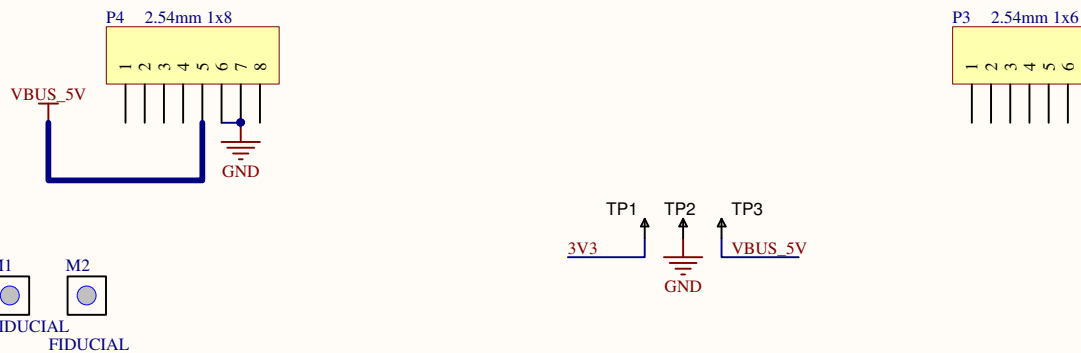
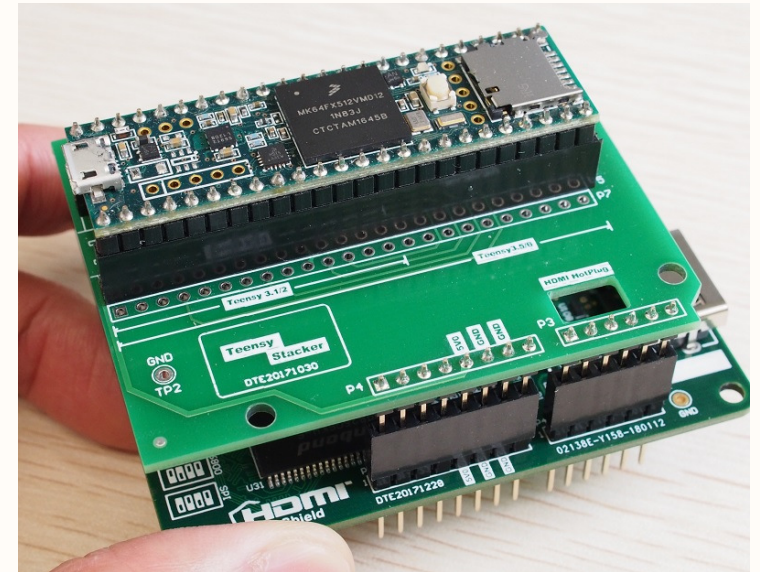


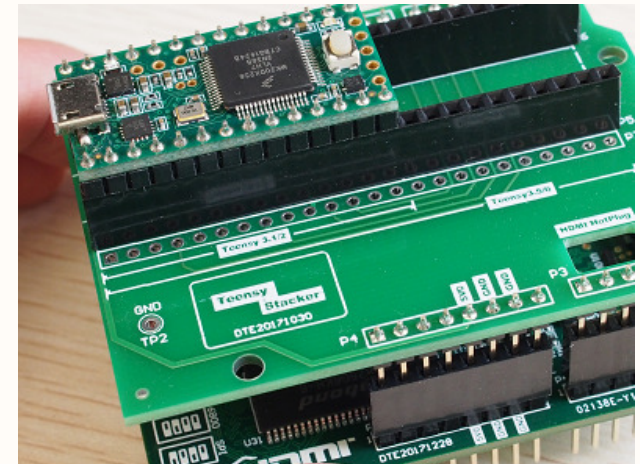
P5 & P6 receptacle extends Teensy 3.1/2 footprint for Teensy 3.5/6



Stack Teensy 3.5/3.5 with microUSB to the left as shown as below.
 Don't stack in the wrong orientation otherwise your Teensy and HDMI Shield will be damaged.



Stack Teensy 3.2 with microUSB to the left as shown as below.
 Don't stack in the wrong orientation otherwise your Teensy and HDMI Shield will be damaged.



Title * Teensy Stacker			*
Size: A4	Number:*	Revision:*	*
Date: 3/16/2018	Time: 3:36:21 PM	Sheet* of *	*
File: D:\projects\Arduino_hdmi\Altium_Teensy_Adapter\Teensy_Stacker_DTE20171030.SchDoc			*

