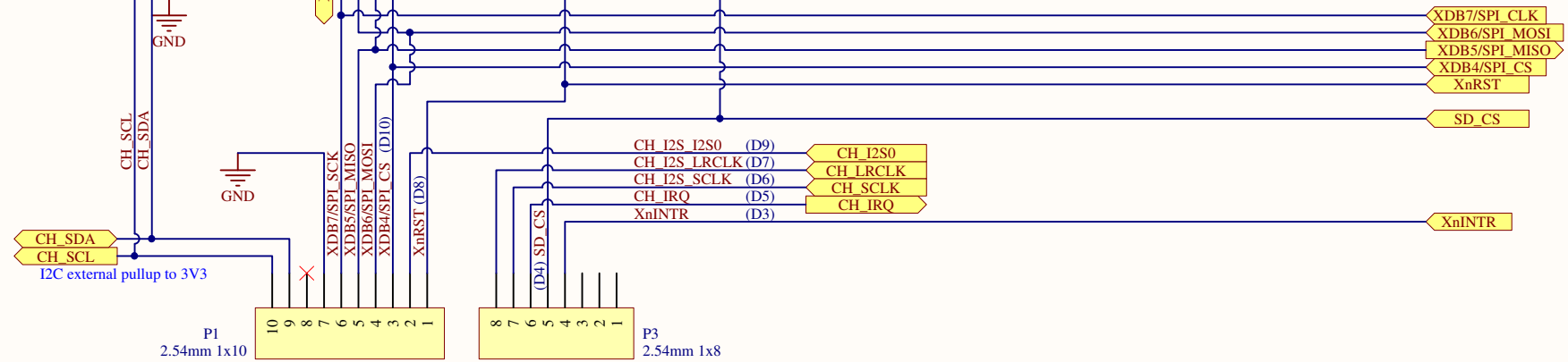
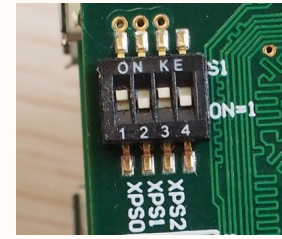


8080/6800 interface can be accessed through J1 40-pin 0.5mm pitch FPC connector

Set S1 to 1,2,3,&4=OFF for 8080 interface

Set S1 to 1,3=ON, 2,4=OFF for SPI interface



P1 2.54mm 1x10

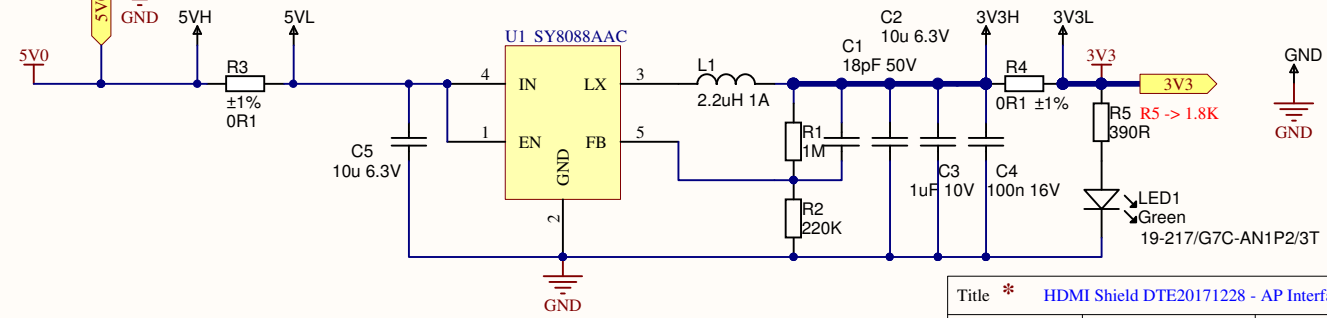
P3 2.54mm 1x8

P2 2.54mm 1x8

P4 2.54mm 1x6

3V3 power rating:
RA8876 in SPI mode with BootROM 9904 in operation for CH7035B
CH7035B 720p -> 1080p 60Hz

Current drawn 600mA measured across R4
USB 5V sinking 484mA @5V across resistor R3



Title * HDMI Shield DTE20171228 - AP Interface		
Size: A4	Number:*	Revision:*20171228
Date: 3/16/2018	Time: 4:22:48 PM	Sheet* of *
File: D:\projects\Arduino_hdmi\Altium_DTE20170516\AP_Interface.SchDoc		

