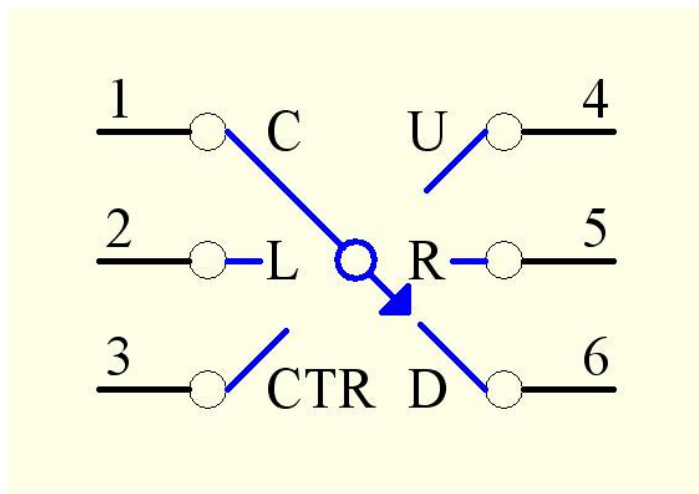
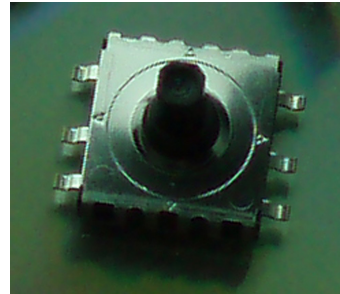


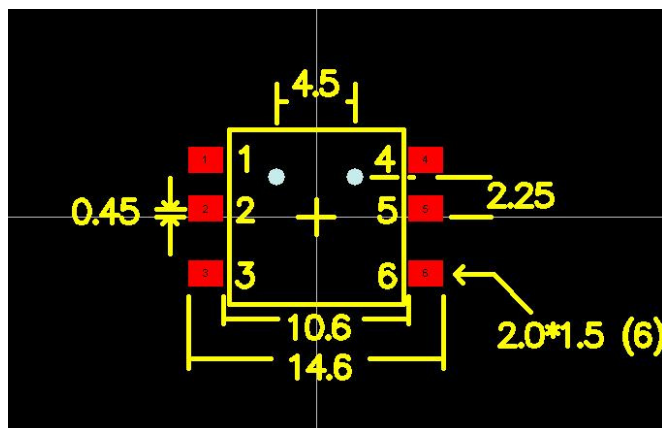
5-way Navigator Joystick

Part number: KFC314

C	Common
L	Left
CTR	Vertical UP/DOWN
D	Down
R	Right
U	Up



Circuit Diagram



PCB Pattern and dimensions