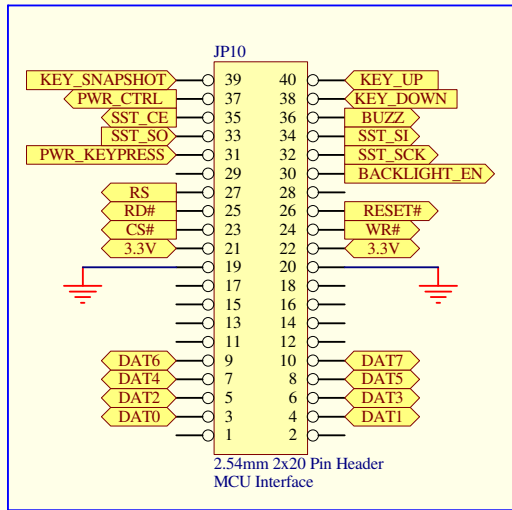
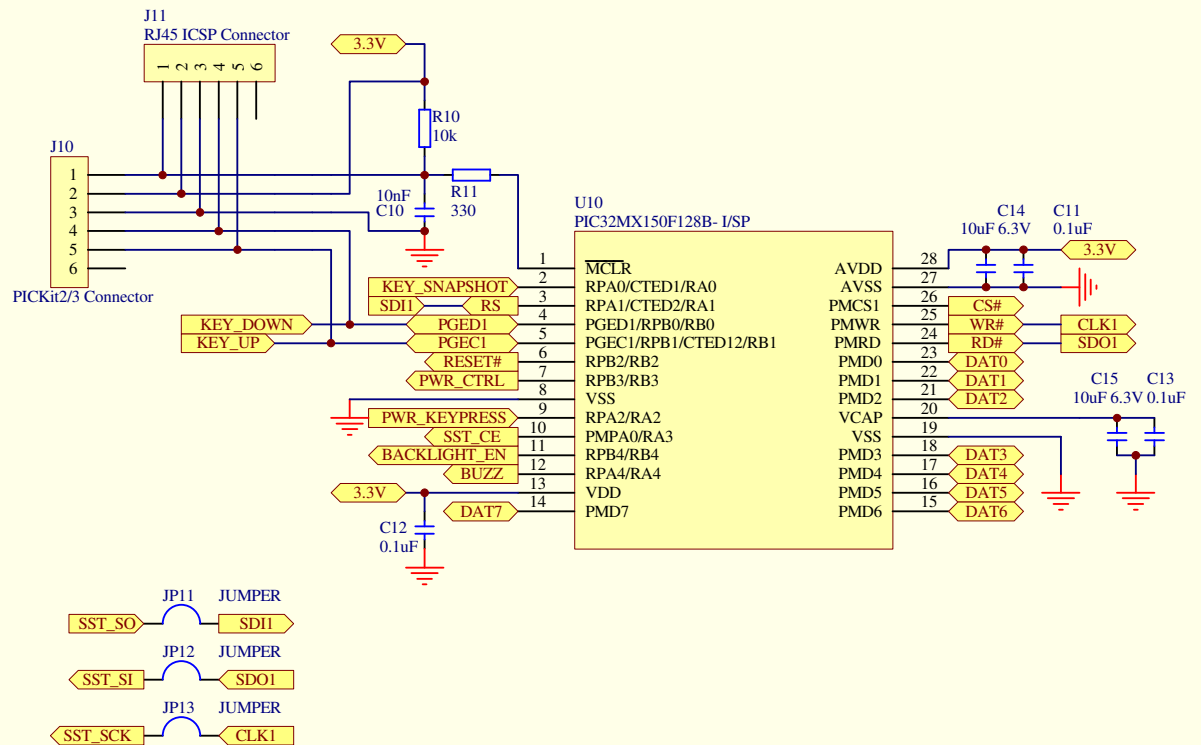


Female 2.54mm 2x20 receptacle
mating with SSD1928 Evaluation Kit Rev 2.4



Only pins relevant to interface has been shown



Title: Interface to Microchip PIC32MX150F128B MCU SSD1928 Evaluation Kit (Rev 2.4) Interface		
Size A4	Number	Revision 1.0
Date: 15th Jan 2013		Sheet 1 of 1