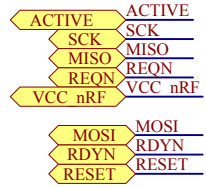
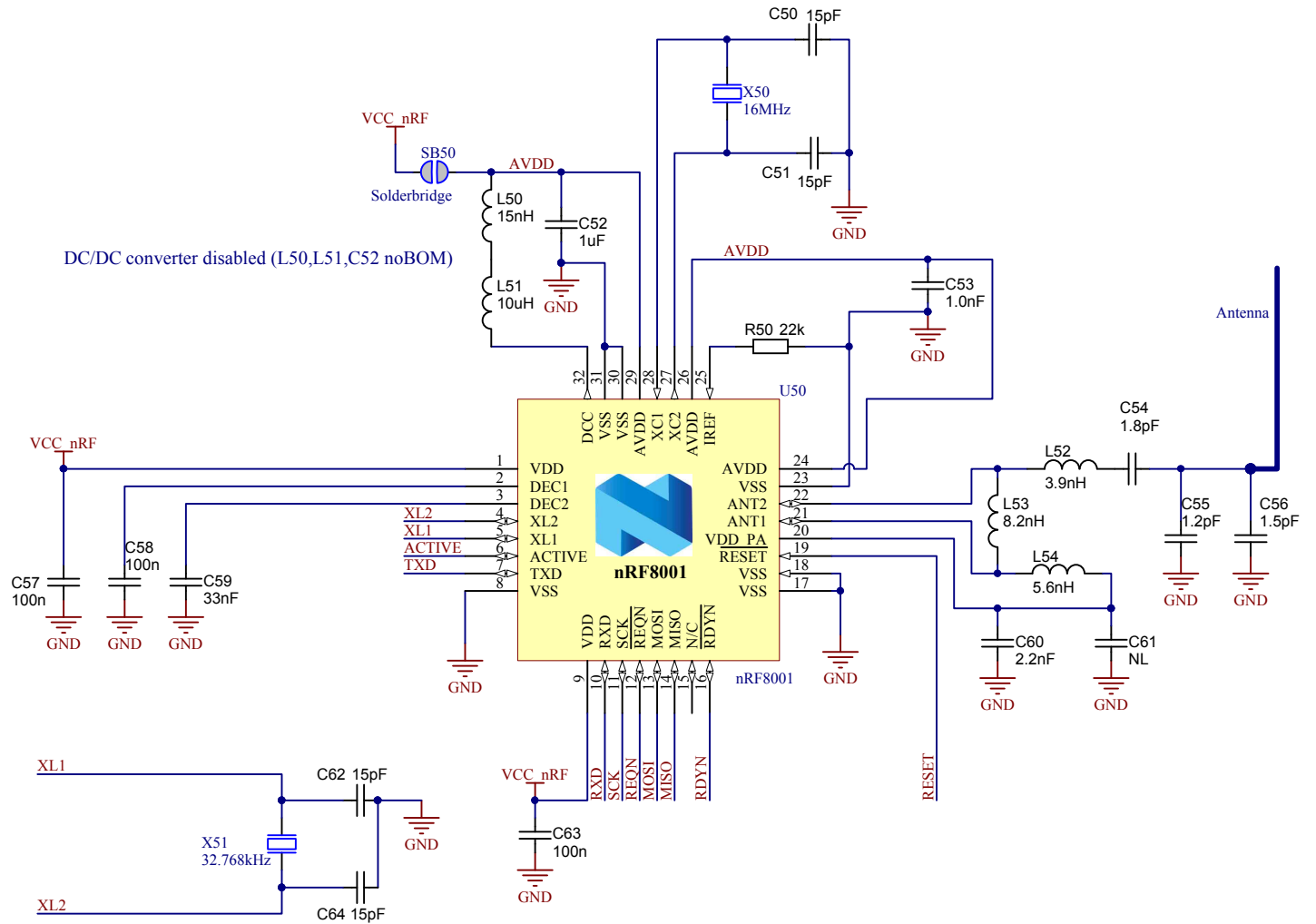


Interface to Application processor



DC/DC converter disabled (L50,L51,C52 noBOM)



Title
nRF2740 - nRFgo nRF8001 SCC module w/PCB Antenna

Size
A4

Project Number
4369

Revision
1.5.0

Date: 2/18/2016
File: nrf2740.SchDoc

Sheet 1 of 1
Drawn By: JOFE/RUBR/ER

