

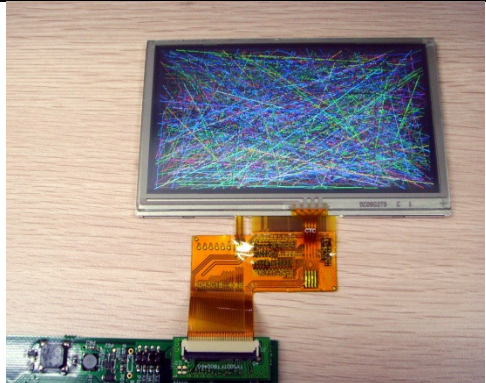


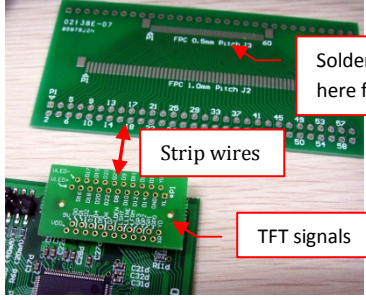
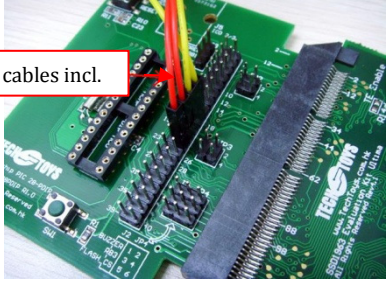
Solomon SSD1963 Display Controller Kit bundle with TFT screen

Options

1. Part #: SSD1963EVK Ultima R4.1-TY430TFT
2. Part# : SSD1963EVK Ultima R4.1-TY500TFT
3. Part# : SSD1963EVK Ultima R4.1-TY700TFT_TP

Packing list

Item	Description	Qty	Picture
1	SSD1963 Evaluation Kit Ultima Rev4.1	1	 <p>Figure 1.1</p>
2	<p>EVK PIC28PDIP R1.0 as a board for out-of-the-box demo with breakout for all interface signals. The MCU will be preloaded with a demo to draw random pixels and lines on the TFT screen bundled.</p>	1	 <p>Figure 1.2</p>
	2x20 2.54mm pin header	1	
	3x3 2.54mm pin header	1	
	2x2 2.54mm pin header	2	
	1x3 2.54mm pin header	1	
3	<p>A TFT screen included for different purchase options</p> <p>For part# : SSD1963EVK Ultima R4.1-TY430TFT TY430TFT480272Rev04 with Touch Panel is included</p> <p>For part# : SSD1963EVK Ultima R4.1-TY500TFT TY500TFT800480Rev01 with Touch Panel is included</p> <p>For part# : SSD1963EVK Ultima R4.1-TY700TFT_TP TY700TFT800480Rev03 with Touch Panel is included</p>	1	 <p>Figure 1.3</p>

4	Universal TFT Adapter PCBs for your choice of TFT screen	1	 <p style="text-align: center;">Figure 1.4</p>
5	Jumper cables in 2.54mm pitch, a pack of 40 pieces included. All MCU-to-SSD1963QL9 interface signals have been “breakout’ed” on EVK PIC28PDIP R1.0. Remove the 28-pin PIC18F24J10-I/SP from EVK PIC28PDIP R1.0 and wire up your MCU board.	1	 <p style="text-align: center;">Figure 1.5</p>

This product combination is suitable for users who want to look at a demo out-of-the-box and develop applications based on our TFT screens.

The MCU on EVK PIC28PDIP R1.0 is a Microchip PIC18F24J10-I/SP with demo program preloaded for individual TFT screen included.

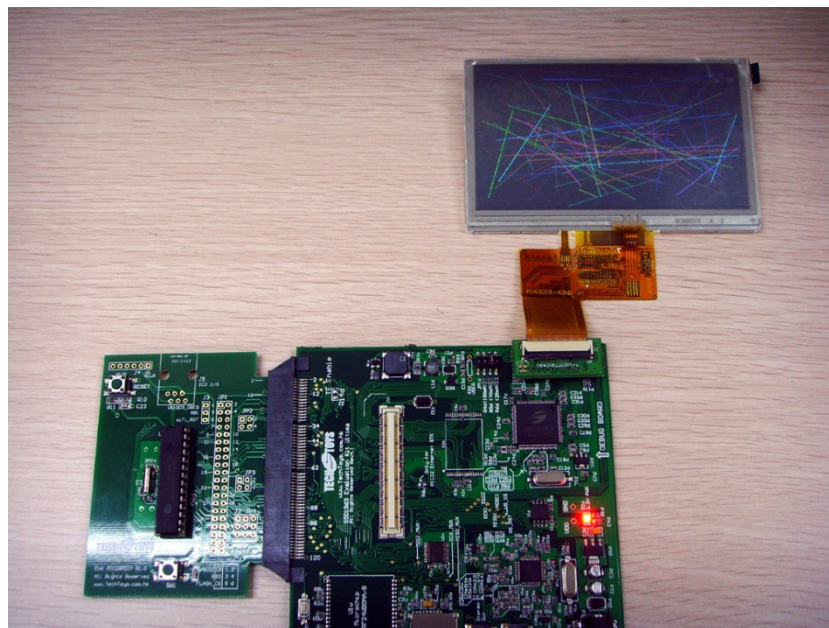


Figure 1.6 Demo with a 4.3” TFT screen