

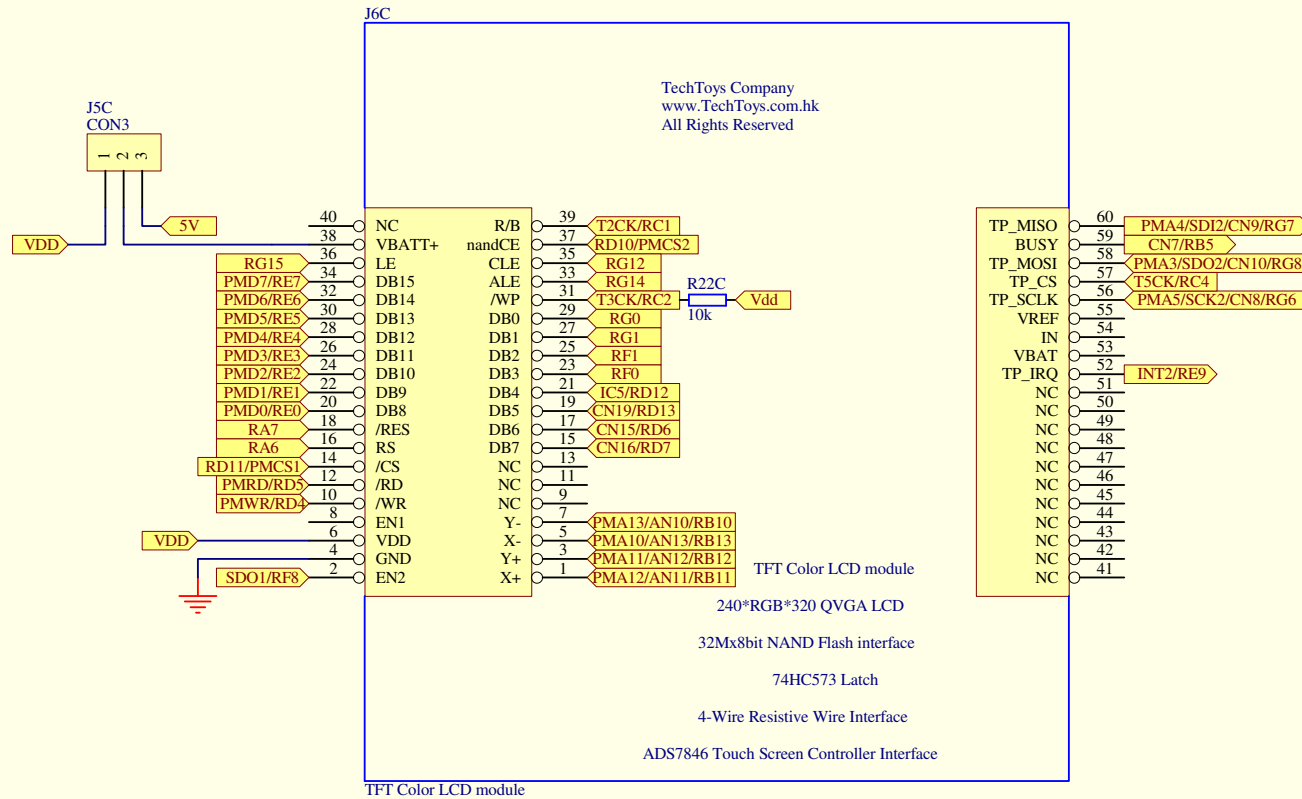
TechToys Company  
www.TechToys.com.hk  
All Rights Reserved

If U1A has not been soldered, one may use  
U2A socket for Microchip 100-pin Plug-in-Module (PIM)  
for replaceable microcontrollers

Y1A and Y2A not soldered  
(Example programs use Internal Fast Osc mode)

Title : Microcontroller Module		
Size : A3	All Rights Reserved	PIC24-Eval-Board_MCU
Date : 13th Jan 2009		Revision : C
Drawn by : TechToys Company (www.TechToys.com.hk)		Sheet 1 of 3

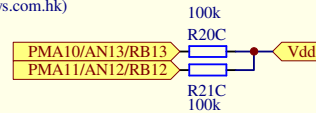
## LCD Interface



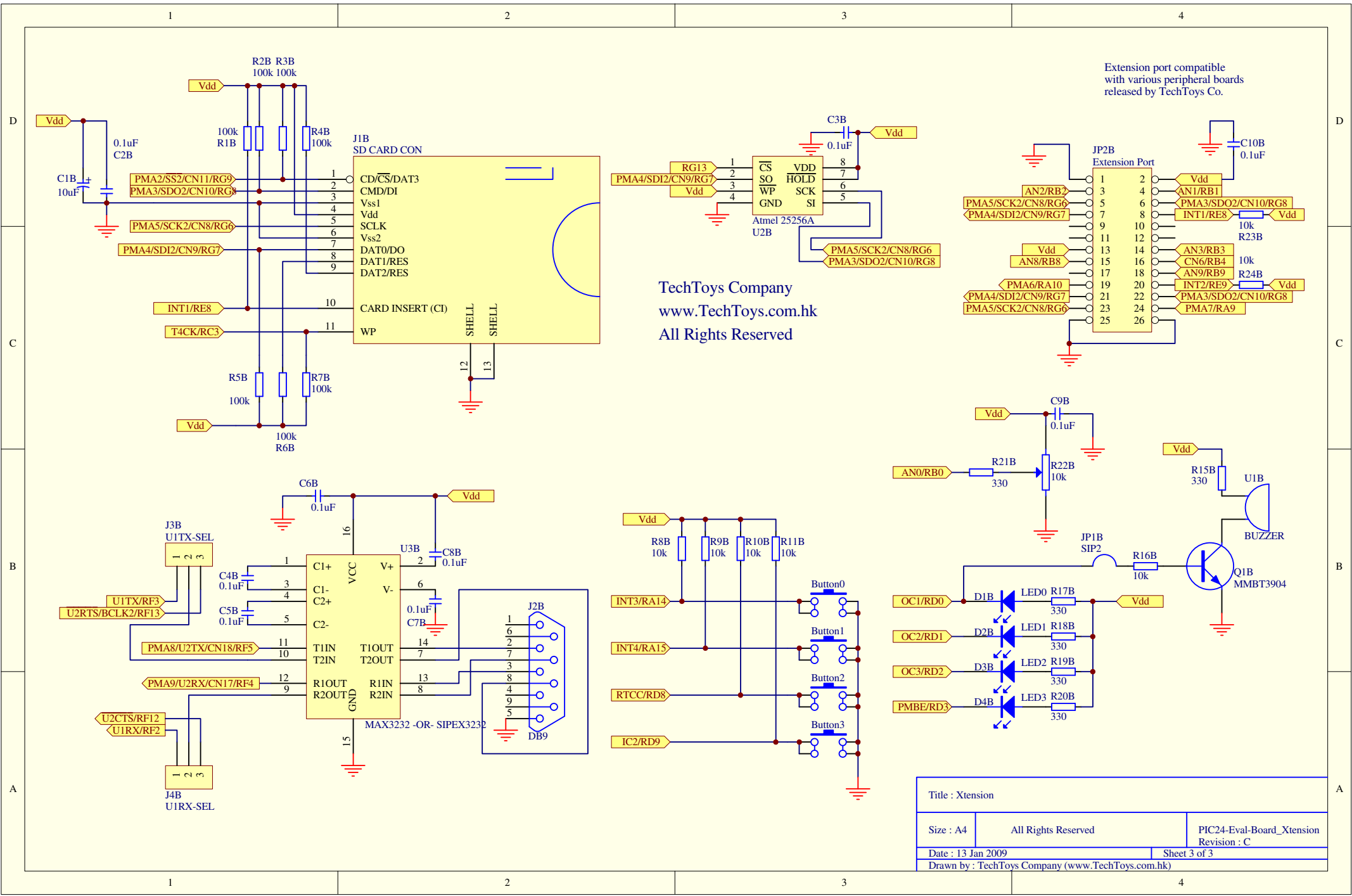
(Pls refer to schematics of LCD modules from our web site at [www.TechToys.com.hk](http://www.TechToys.com.hk))

Compatible LCD modules :

- 1) 2.4" QVGA TFT LCD on PCB
- 2) 2.8" QVGA TFT LCD with Touch Panel on PCB
- 3) 3.5" QVGA TFT LCD with Touch Panel on PCB



Title : LCD Interface		
Size : A4	All Rights Reserved	PIC24-Eval-Board_LCD Revision : C
Date : 13th Jan 2009		Sheet 2 of 3
Drawn by : TechToys Company (www.TechToys.com.hk)		



TechToys Company  
 www.TechToys.com.hk  
 All Rights Reserved

Title : Xtension		
Size : A4	All Rights Reserved	PIC24-Eval-Board_Xtension Revision : C
Date : 13 Jan 2009	Sheet 3 of 3	
Drawn by : TechToys Company (www.TechToys.com.hk)		